

QX-218AS

Double 18"
Passive Subwoofer

ENNE



KEY Features

- Incredible size to power ratio
- Versatile Sound reinforcement
- High Performance 3200W
- ARK optimised preset
- White & black colour optional

Applications

- Club and Bar Installs
- House of Worship
- Live Sound
- Theatres
- Broadcast
- Multi media spaces

Description

The QX-218AS is a high power direct radiation, passive sub-bass cabinet in bass reflex configuration delivering 1600W RMS.

It features dual 18" neodymium transducer (4" DUO double layer inner/outer voice coil) with FEA optimized magnet circuit and designed with MMSS technology for high control linearity and low harmonic distortion. Weather protected cone for outdoor use and CONEX spider for higher resistance and consistency.

The QX-218AS has been designed to be used with the QX-12A and QX-15A to extend the low frequency support. It is made from premium birch plywood and coated with high resistant water-based black paint, includes integrated handles, rubber feet and top hat insertion point for satellite combination with the QX Series.

The cabinet can be used in both horizontal and vertical configuration.

Specifications

Frequency Range (-10 dB) ¹ :	28 Hz - 340 Hz
Frequency Response (± 3 dB) ¹ :	31 Hz - 220 Hz
Sensitivity (1w@1m):	100 dB
Nominal Impedance:	4 Ohms
Peak Maximum SPL:	139 dB
Power Rating: (Continuous ² /Program/Peak)	1600W / 3200W / 6400W
Coverage Pattern:	360°
Dimension (H x W x D):	677mm x 1122mm x 630mm
Net Weight:	72 Kg
LF Driver:	2 x 18", $\Phi 4$ " voice coil
Input Connectors:	2 x Neutrik® Speakon® NL4MP

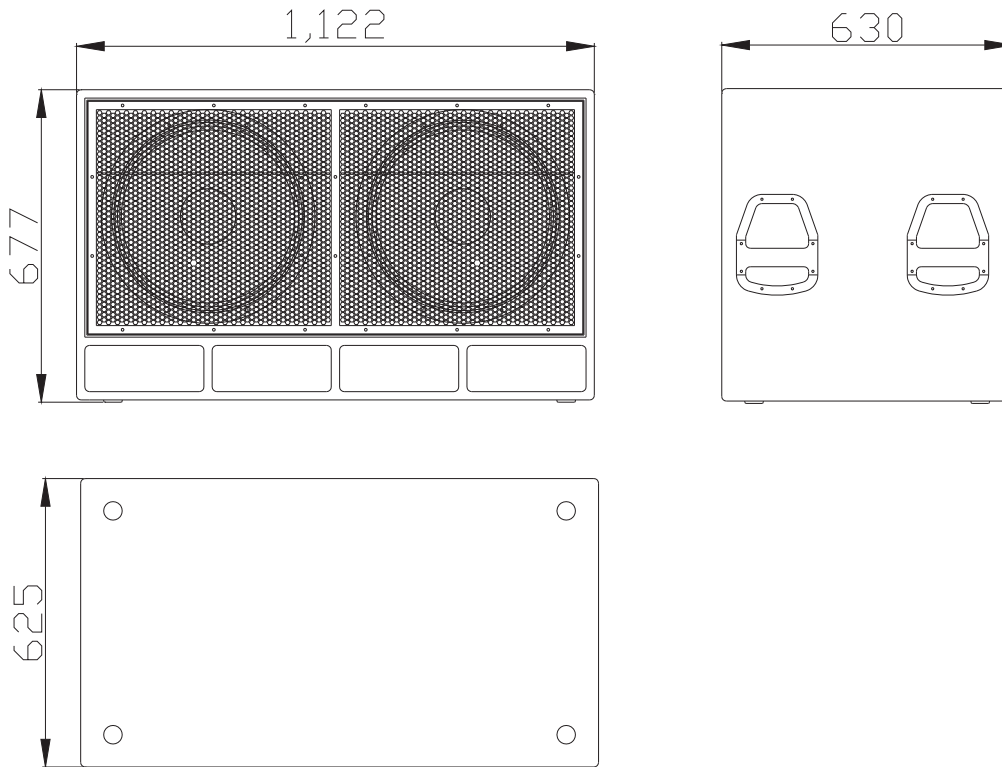
1. Calculated based on power rating and sensitivity

2. IEC Filtered Pink Noise with 6dB Crest Factor, 2 hours duration

QX-218AS

Double 18" Passive Subwoofer

Dimension



NO. ENNE 20190408 ver

ENNE Inc. (USA)
650 N San Mateo Drive. San Mateo, California, USA
CA 94401

ENNE Inc. (HK)
香港九龍彌敦道345號宏利公積金大廈10樓1001-1003室
Tel (852) 2301 1130
Fax (852) 2301 1299

ENNE Inc. (CN)
廣州市番禺區鐘村鎮鐘一村高沙工業區自編3號
Tel (020) 8386 3459
Fax (020) 8386 3550

ENNE