

QX-118AS

18"
Passive Subwoofer

ENNE



KEY Features

- Compact, Light weight
- Versatile Sound reinforcement
- High Performance
- ARK optimised preset
- White & black colour optional

Applications

- Club and Bar Installs
- Portable Sound
- Live Sound
- Theatres
- Broadcast
- Multi media spaces

Description

The QX-118AS is a high power direct radiation, passive sub-bass cabinet in bass reflex configuration delivering 800W RMS.

It features one 18" transducer (4" DUO double layer inner/outer voice coil) with FEA optimized magnet circuit and designed with MMSS technology for high control linearity and low harmonic distortion. Weather protected cone for outdoor use and CONEX spider for higher resistance and consistency.

The QX-118AS has been designed to be used with the QX-12A and QX-15A to extend the low frequency support.

It is made from premium birch plywood and coated with high resistant water-based black paint, includes integrated handles, rubber feet and top hat Insertion point for satellite combination with the QX Series. The cabinet can be used in both horizontal and vertical configuration.

Specifications

Frequency Range (-10 dB) ¹ :	30 Hz - 230 Hz
Frequency Response (± 3 dB) ¹ :	33 Hz - 200 Hz
Sensitivity (1w@1m):	99 dB
Nominal Impedance:	8 Ohms
Peak Maximum SPL:	134 dB
Power Rating: (Continuous ² /Program/Peak)	800W / 1600W / 3200W
Coverage Pattern:	360°
Dimension (H x W x D):	733mm x 570mm x 630mm
Net Weight:	44 Kg
LF Driver:	1 x 18", $\Phi 4$ " voice coil
Input Connectors:	2 x Neutrik® Speakon® NL4MP

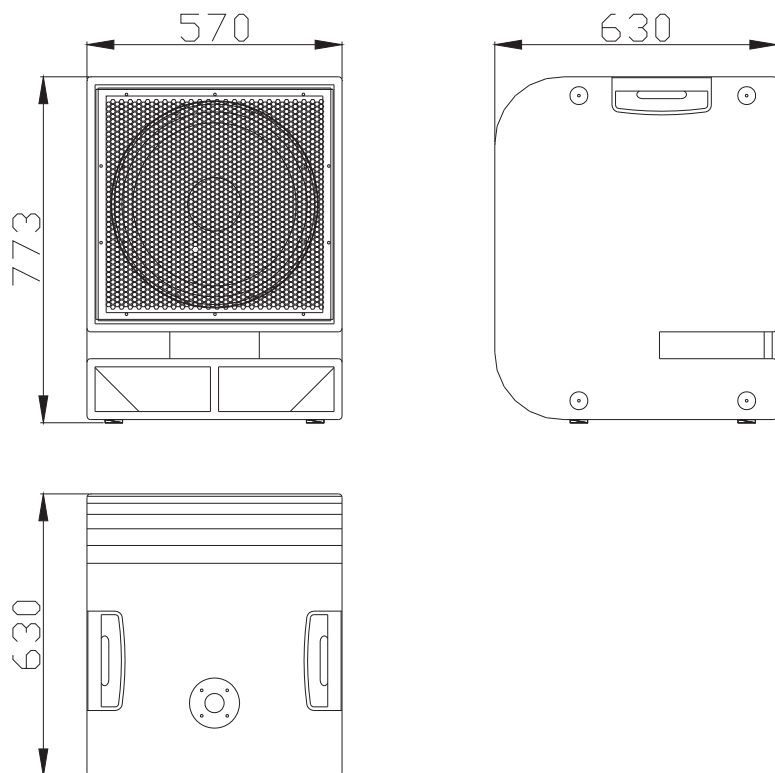
1. Calculated based on power rating and sensitivity

2. IEC Filtered Pink Noise with 6dB Crest Factor, 2 hours duration

QX-118AS

18", Passive Subwoofer

Dimension



NO. ENNE 20190408 ver

ENNE Inc. (USA)
650 N San Mateo Drive. San Mateo, California, USA
CA 94401

ENNE Inc. (HK)
香港九龙弥敦道345号宏利公积金大厦10楼1001-1003室
Tel (852) 2301 1130
Fax (852) 2301 1299

ENNE Inc. (CN)
广州市番禺区钟村镇钟一村高沙工业区自编3号
Tel (020) 8386 3459
Fax (020) 8386 3550

ENNE