



Applications

- Theater, Multifunctional Hall
- Conference Center
- Live sound
- Bar or Pub
- Main Loudspeaker or Monitor

Description

Muse (abbreviated as MS) is the latest launch of ENNE powered loudspeaker series. It has many unique features like multifunction, portable, and excellent in sound.

MS15 is an active, high power, 2-way, full-range loudspeaker. It consists of one 1.4" polyester diaphragm HF driver and one 15" ferrite magnet LF driver. High quality HF compression driver can bring very smooth frequency response and clear & bright sound in super high frequency range. Ferrite magnet LF driver let the LF response be rich and full of power.

MS15 has very powerful output, its peak maximum SPL can reach 134dB which can meet the needs of large halls and live sound. 90°x 60°rotatable horn can be easily installed both vertical and horizontal. The horn is well designed and it has excellent offset axis response, that make everyone in coverage range can hear balance and uniform sound.

MS15 built-in DSP and Class D switching power amplifier. The amplifier power rate for HF is 275W, LF is 1100W. Perfect DSP processing ability can provide the best match of Crossover, EQ, Delay, Polarity, Gain etc. Built-in Limiter can protect the driver very well.

MS15 is made from premium birch plywood and coated with wear-resisting paint which can effectively reduce the friction damage. The cabinet has different cut angles of 60° & 40°, when it used as a monitor loudspeaker, it has two modes of short throw and far throw.

Key Feature

- 1.4" Polyester diaphragm high frequency compression driver
- 15" Ferrite magnet low frequency woofer
- Built-in Class D switching power amplifier, apply to portable performance
- Perfect DSP processing ability provide crossover, EQ, delay, polarity, gain, limiter, etc.
- Peak maximum SPL 134dB
- 90° x 60° Rotatable horn can be easily installed both vertical and horizontal
- The cabinet has different cut angle of 60° & 40° , it can be use for short throw or far throw when use as a monitor loudspeaker
- 13 x M10 Suspension points, one bottom supporting hole

Specifications

Frequency Range (-10 dB)¹: 40 Hz - 20 kHz

Frequency Response (± 3 dB)²: 52 Hz - 18 kHz

Peak Maximum SPL: 134 dB

Amplifier Power Rate: Built-in Class D switching power amplifier
HF: 275W
LF: 1100W

Coverage Pattern³(V x H): 90° x 60°

Dimension (H x W x D): 810 x 500 x 480 mm

Net Weight: 49.8 Kg

LF Driver: 1 x 15", 4" voice coil

HF Driver: 1 x 1.4", 3" voice coil

DSP Processor: EQ, Crossover, Delay, polarity, Gain, etc.

Input Connectors: Input and Cascade Output Connectors

Power Interface: 16A Neutrik PowerCON Cascade Output

Control Connetctor: RJ45

AC power supply: 220V, 50Hz

Fittings: M10 x 13

Bottom Supporting Hole: 1

1. In full-space.

2. IEC Filtered Pink Noise with 6dB Crest Factor, 2 hours duration.

3. 500Hz to 4kHz.

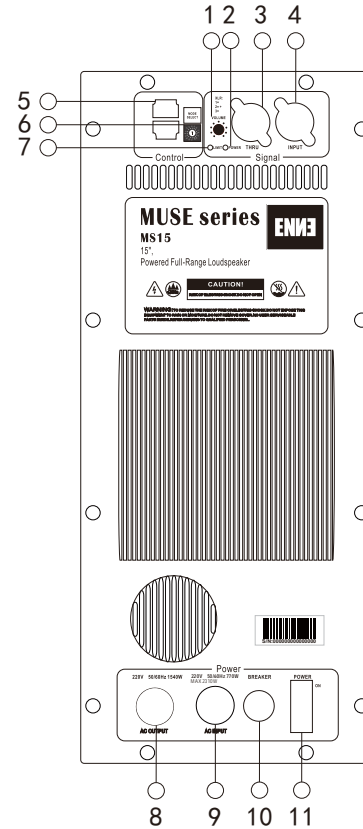
MS15

2-Way, 15", Powered Full-range Loudspeaker

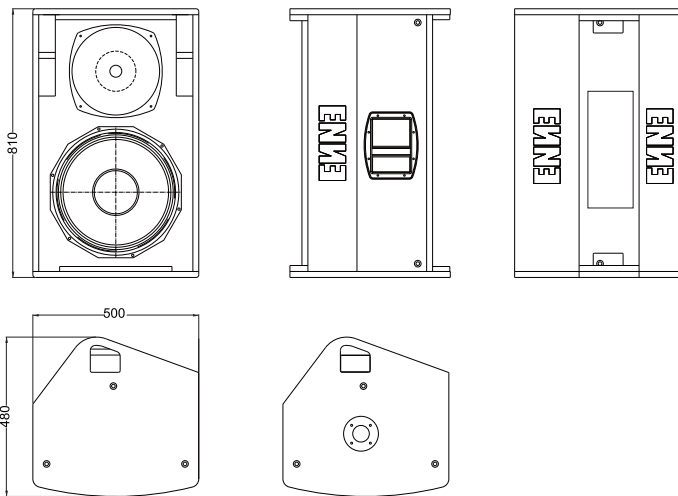
DSP Interface



Back Panel Instructions



Dimension



- 1. Volume control
 - 2. Power light
 - 3. Signal output
 - 4. Signal input
 - 5. Computer control interface
 - 6. DSP mode select
 - 7. Limit light
 - 8. AC output
 - 9. AC input
 - 10. Circuit breaker
 - 11. Power switch
- 0: FOH
 1: FOH + Sub
 2: Monitor Far Throw
 3: Monitor Short Throw

NO. ENNE 20190108 ver

ENNE Inc. (USA)
 650 N San Mateo Drive. San Mateo, California, USA
 CA 94401

ENNE Inc. (HK)
 香港九龍彌敦道345號宏利積金大廈10樓1001-1003室
 Tel (852) 2301 1130
 Fax (852) 2301 1299

ENNE Inc. (CN)
 廣州市番禺區鐘村鎮鐘一村高沙工業區自編3號
 Tel (020) 8386 3459
 Fax (020) 8386 3550

